

DÜREN TOOLS

Part Code: 321287

240V Electric 150mm Dual Action Polisher

Product Instruction Manual



PLEASE KEEP THIS MANUAL SAFE FOR FUTURE REFERENCE

www.duren.co.uk

321287
Instruction Manual

IMPORTANT

Please read through this Manual carefully before using the 321287.

This tool must only be used for polishing and within the parameters outlined in this manual. All users of the equipment should be trained in any risks associated with the products they are polishing or using as finishing aids.

Specification

Voltage:	230-240 ~ 50 Hz
Power Output:	600W
Thread:	5/16"
Pad Size:	150mm/6"
Free Speed:	1500-6800rpm
Weight:	2kg
Vibration Level:	2.3m/s ² (uncertainty 1.5m/s ²)
Sound Level:	L _{PA} : 80dB(A) (uncertainty 3dB(A))
	L _{WA} : 91dB(A) (uncertainty 3dB(A))

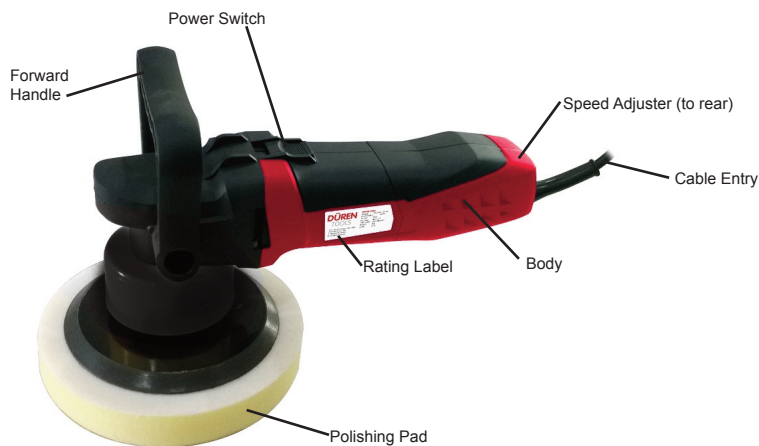
WARNING!

Tool not for use in work areas covered by Ex-protection regulations.

Tool Use

This electric polisher can be used to polish a large range of painted or varnished surfaces. It is also for use with compounding liquid.

Getting to know your tool



- 1 Tool speed is adjusted using the rotary adjuster on the rear of the tool. The tool starts as soon as the Power Switch is activated.
- 2 The switch does not need pressure applied to stay in the on position. The switch is pressed again to turn off the tool.
- 3 Two handed operation is recommended at all times.

PLEASE KEEP THIS MANUAL IN A SAFE PLACE FOR FUTURE REFERENCE

Safety Instructions

These instructions are intended as a guide to the correct use of this equipment. The process or materials being polished may have risk characteristics requiring additional safety measures and these must be identified by the user. All users of this polisher must be thoroughly acquainted with this manual.

Before Use and Before Using Tool for the First Time

- Make sure you have the relevant Personal Protection Equipment (PPE).



Hand Protection

The pad revolves at high speed and may cause damage if brought into contact with exposed flesh. The workpiece and the pad may also get hot after prolonged use. Hand protection must be strong enough to protect the skin and be a good fit and have no loose parts that may get caught in rotating parts.



Eye and Breathing Protection

The polishing process may create dust and other airborne particles. There is no dust extraction function on this machine so it is essential that approved eye and breathing protection is worn.



Noise and Ear Protection

Depending on the material being worked on and the type of polishing disc used, noise levels may cause hearing damage including temporary or even permanent hearing loss. It is recommended that Ear Protection is worn at all times when using the polisher.



Repetitive Strain Injury (RSI)

All products of this nature can cause RSI if used for long period, particularly in an awkward operating position. Adequate rest periods and working conditions should be considered for prolonged use.

Electrical Safety Instructions

The owner and/or the operator MUST read, understand and comply all points listed below.

- 1 You MUST check all electrical products, before use, to ensure that they are safe.
- 2 You MUST inspect plugs, sockets, power leads and any other connectors for wear or damage.
- 3 You MUST have any worn or damaged plugs, sockets and power leads replaced immediately upon discovery.
- 4 You MUST ensure that the risk of electric shock is minimised by the installation of appropriate safety devices.
- 5 A Residual Current Circuit Breaker (RCCB) should be incorporated in the main distribution board. - If no RCCB is fitted, use of a Residual Current Device (RCD) is strongly recommended. If you are unsure, speak to a qualified electrician and have an RCCB fitted if necessary.
- 6 RCDs are available from most electrical retailers.
- 7 The Health & Safety at Work Act 1974 makes owners of electrical appliances responsible for the safe condition of those appliances and the safety of the appliance operators. If in any doubt about electrical safety, seek advice from the governing body or independent electrical training providers.
- 8 Ensure that the insulation on all cables and on the appliance are safe and intact before connecting it to the power supply.
- 9 Ensure that cables are always protected against short circuit and overload.
- 10 Regularly inspect power supply cables and plugs for wear or damage and check all connections to ensure that none is loose or damaged.
- 11 Ensure that the voltage rating of the compressor matches your power supply and that the plug is fitted with the correct fuse.
- 12 Do not yank the plug from the socket as can cause damage to both plug and socket. Any damage to plugs or sockets is potentially lethal.
- 13 Never carry any electrical tool by its power lead.
- 14 If you are using an extension reel, ensure that it is fully unwound and that an RCD is fitted. A minimum cable core of 1.5mm² is recommended although a core of 2.5mm² will ensure that heavy loads can be handled. Your extension reel needs to be marked for outdoor use if working outside.

Duren Tools

T: 01582 484875 E: sales@duren.co.uk

www.duren.co.uk

*MSDS

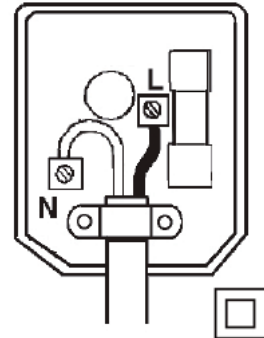
Material Safety Data Sheet

321287

Instruction Manual

- 15 When the ASTA/BS approved UK 3 pin plug is damaged, cut the cable close to the plug and dispose of the it safely. Fit a new plug according to the following instructions;

- 1: Connect the BROWN live wire to the live terminal 'L'.
- 2: Connect the BLUE neutral wire to the neutral terminal 'N'.
- 3: After wiring, check that there are no bare wires, that all wires have been correctly connected, that the cable outer insulation extends beyond the cable restraint and that the restraint is tight.



The plug fitted to this tool is fitted with a 13amp fuse.

- This product is double insulated and marked with this symbol. It is fitted with live (brown) and neutral (blue) wires only.

General Safety Instructions

- 1 Ensure the polishing pad is equal to or greater than 120% of the stated RPM of the polisher.
- 2 Keep the workplace clean and tidy.
- 3 Use the tool in a well ventilated area.
- 4 DO NOT hold the workpiece by hand, always make sure the workpiece is clamped securely.
- 5 Keep all flammable and combustible materials away from the work area.
- 6 Children and other unauthorised persons should be kept away from the work area.
- 7 NEVER use the polisher whilst the floor underfoot is wet or slippery.
- 8 NEVER use the polisher when standing on an unstable surface.
- 9 Keep the polisher out of reach of children.
- 10 Analyse the material you are polishing. Be aware of the dangers of polishing lead based paints. Historically, paint contained lead and polishing such paint may cause toxic particles to enter the atmosphere. If you suspect that lead could be in the paint the following actions must be observed;
 - Alert any other persons in the nearby and keep them away from the working area.
 - Use specific air fed respirator, PE coated coveralls and latex gloves.
 - Dispose of any dust and paint waste correctly and thoroughly clean the workpiece and working area after the polishing has finished.
- 11 NEVER attempt to sand materials containing asbestos.
- 12 VIBRATION. Hand electrical tools may produce vibration. Vibration from polishers can cause disease. The use of gloves will help reduce the risk and can help prevent injury.
- 13 Disconnect the electrical supply before changing disc or pad.
- 14 Ensure the polisher has stopped rotating before putting it down or handling the pad or disc.
- 15 NEVER carry the polisher by the power cord.
- 16 NEVER point the polisher at other persons.
- 17 NEVER operate the polisher whilst under the influence or drugs, alcohol or intoxicating medication.
- 18 Check you have no loose clothing, hair, jewellery or any other items of a personal nature that might become entangled with the rotating parts.
- 19 Be aware of the dangers of working in or on and building or material containing asbestos. Always take a appropriate measures up to an including contracting licensed 3rd parties to remove and/or make safe and articles or asbestos.

Switch off unit immediately if;

- 1 There is interruption of mains electrical supply such as in the case of a power cut.
- 2 There damage occurs to the socket, plug, cable or cable entry into the unit.
- 3 There is damage to the on/off switch on the unit.
- 4 There is a smell of burning plastic.
- 5 There is smoke coming from the motor housing.

If in any doubt as to your own safety, cut the power at the main fuse board. Always familiarise yourself with the electrical layout of your work area.

Duren Tools

T: 01582 484875 E: sales@duren.co.uk

www.duren.co.uk

PLEASE KEEP THIS MANUAL IN A SAFE PLACE FOR FUTURE REFERENCE

Operating Instructions

During Use

- 1 When using the polisher for long periods of time, check the polishing pad for wear.
- 2 Replace worn pads as worn or clogged pads will make the polisher inefficient.
- 3 The polishing operation will cause heat. Check the material that is being worked on that it is not getting too hot. If this is occurring, stop polishing to allow the material to cool down.
- 4 You can adjust the speed of the tool by adjusting the pressure you apply to the throttle.
- 5 Make regular checks on the polishing pad for wear and damage and replace them immediately.
- 6 Due to the potential heat caused by the polishing process, keep flammable liquids and gases well away from the work area.

Maintenance

- 1 Remove plug from the mains power supply before carrying out any maintenance or cleaning.
- 2 Every 50 hours of operation blow compressed air through the motor while running at no load to clean out accumulated dust. If operating in especially dusty conditions, perform this operation more often.
- 3 Periodically blow out all air passages with dry compressed air.
- 4 All plastic parts should be cleaned with a soft damp cloth. NEVER use solvents to clean plastic parts. They could possibly dissolve or otherwise damage the material.
- 5 Wear safety glasses while using compressed air.

Carbon Brushes

- 1 The carbon brushes are a normal wearing part and must be replaced when they reach their wear limit. NOTE: Checking and replacing the carbon brushes should be entrusted to a qualified service centre. The carbon brushes furnished will last approximately 50 hours of running time or 10,000 on/off cycles. Replace **both** carbon brushes when either has less than 1/4" length of carbon remaining.
- 2 Warning : The tool should be unplugged.
- 3 Unscrew three screw ST3*20. (FIG 8)
- 4 Open the machine body.
- 5 Pull out the insert spring with pliers(A), and move the coil spring(B). (FIG 9), Pull out the Carbon brush(A) from the brush holder.(FIG 10)
- 6 Pull in the Carbon brush into the brush holder, move back the coil spring, then pull in the insert spring with pliers. Fold the left and right housing, tighten the screw.
- 7 Warning : Never extrude the internal cord when you fold the left and right housing to avoid the damage of insulating of cable.

Environmental Protection (W.E.E.E.)



The Waste Electrical & Electronic Equipment Regulations (WEEE) requires that any of our products showing this marking (left) must not be disposed of with other household or commercial waste. To prevent possible harm to the environment or human health from uncontrolled waste disposal, please separate any such product from other waste types and recycle it responsibly at your local facilities.

Check with your Local Authority, Recycling Centre or retailer for recycling advice.

Duren Tools

T: 01582 484875 E: sales@duren.co.uk

www.duren.co.uk

321287

Instruction Manual

Warranty

We hope that you will be very happy with your purchase. If you do have a problem with your tool, you have the added peace of mind of a 6 month warranty, which comes into date from the date of purchase (proof of purchase required).

Scope of Warranty

- The warranty will cover you from all faults cause by defective components or poor workmanship.
- Tools sent outside the EU are not covered by this warranty.
- Product must be returned to us, the warranty does not cover cost of carriage.
- If the product is no longer in manufacture, it will be replaced with a tool of equivalent or higher specification.

What is not covered

- Normal wear and tear caused by use in accordance with the operating instructions.
- Replacement of any provided accessories, such as Backing Pads, Carbon Brushes, Blades, handles Spanners, etc.
- Accidental damage, faults caused by negligent use or care, neglect, misuse or careless operation, handling and storage of the product.
- Modification of, or change of, any part of this product in any way.
- Faults caused by use of non compatible accessories.
- Tool seizure caused by insufficient servicing and maintenance.
- Faults caused by incorrect installation/assembly.
- Repairs or alterations carried out by non-approved parties.

Validity

- This warranty is valid for 6 months after date of purchase.
- Warranty is rendered invalid if;
 - Tool is taken apart for any reason without our consent.
 - The points in the Electrical and General Safety Instructions are not observed.
- A warranty claim will not be accepted without an official proof of purchase from your supplier.

Declaration of Conformity

We declare that the equipment detail below, to the best of our knowledge and ability, complies with the following Directives.

2006/42/EC, 2006/95/EC, 2004/108/EC, 2011/65/EU

Equipment Description	240V Electric 150mm Dual Action Polisher
Part Code	321287
Distributed in the EU by	Duren Tools, a wholly owned subsidiary of Fast Mover Tools Ltd
Address	Unit 1 Frenchs Avenue, Dunstable, Bedfordshire, LU6 1BH, United Kingdom

The following Transposed Harmonised Standards have been applied in the design and construction of this equipment:

EN 60745-1:2009+A11
 EN 60746-2-3:2009+A11
 EN 55014-1:2006+A1+A2
 EN 55014-2:1997+A1+A2
 EN 61000-3-2:2006+A1+A2
 EN 61000-3-3:2008

The manufacturer and the distributor, stated above, hold the Technical Construction File for this equipment.

Signed on behalf of the distributor
 (the responsible person)

B Moffitt

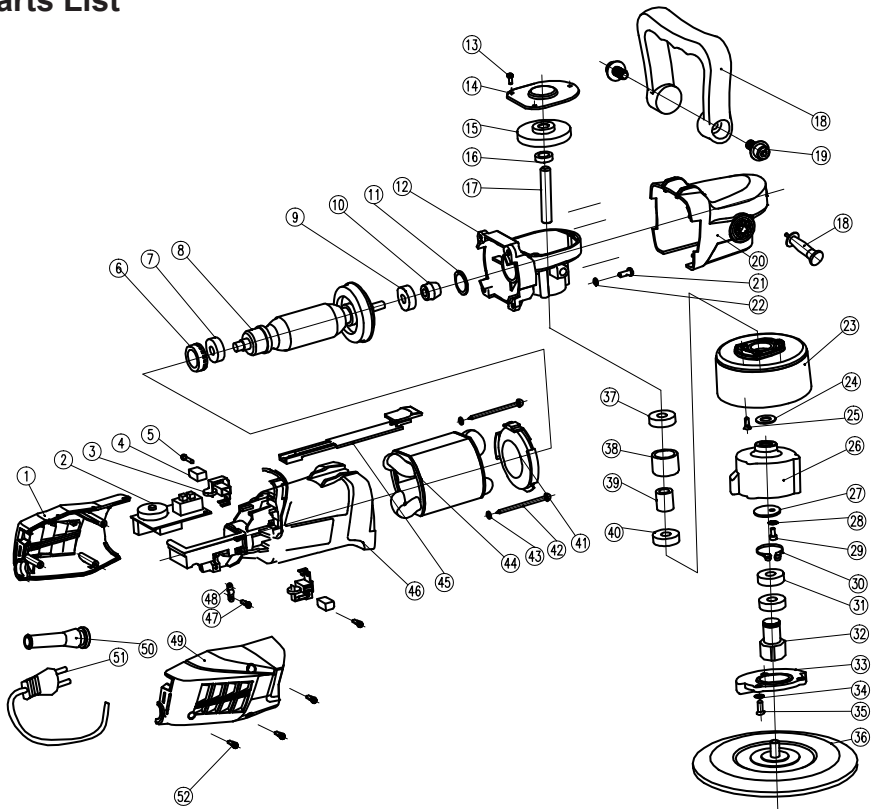


Name: Brian Moffitt Position: Director
 Date and Place: 28/05/14, Dunstable, UK

Duren Tools
 T: 01582 484875 E: sales@duren.co.uk
www.duren.co.uk

PLEASE KEEP THIS MANUAL IN A SAFE PLACE FOR FUTURE REFERENCE

Parts List



No.	Code	Description	Q'ty	No.	Code	Description	Q'ty
1	321287/1	Right Housing	1	31	321287/31	Bearing	2
2	321287/2	Speed Controller	1	32	321287/32	Shaft	1
3	321287/3	Brush Assembly	2	33	321287/33	Lower Eccentricity	1
4	321287/4	Brush	2	34	321287/34	Washer	3
5	321287/5	Screw	2	35	321287/35	Screw	3
6	321287/6	Bearing Cap	1	36	321287/36	Rotating Plate	1
7	321287/7	Bearing	1	37	321287/37	Bearing	1
8	321287/8	Armature	1	38	321287/38	Outer Bearing Cover	1
9	321287/9	Bearing	1	39	321287/39	Inner Bearing Cover	1
10	321287/10	Small Gear	1	40	321287/40	Bearing	1
11	321287/11	O-Ring	1	41	321287/41	Cover	1
12	321287/12	Gear Case	1	42	321287/42	Screw	2
13	321287/13	Screw	3	43	321287/43	Spring Washer	2
14	321287/14	Dust Cover	1	44	321287/44	Stator	1
15	321287/15	Big Gear	1	45	321287/45	Switch	1
16	321287/16	Gear Washer	1	46	321287/46	Bobbin	1
17	321287/17	Gear Shaft	1	47	321287/47	Screw	2
18	321287/18	Forward Handle	1	48	321287/48	Cable Plate	1
19	321287/19	Screw	2	49	321287/49	Left Housing	1
20	321287/20	Gear Cover	1	50	321287/50	Cable Sleeve	1
21	321287/21	Screw	4	51	321287/51	Cable	1
22	321287/22	Spring Washer	4	52	321287/52	Screw	3
23	321287/23	Shield	1				
24	321287/24	Bearing Washer	1				
25	321287/25	Screw	3				
26	321287/26	Upper Eccentricity	1				
27	321287/27	Eccentric Washer	1				
28	321287/28	Washer	1				
29	321287/29	Screw	1				
30	321287/30	Check Ring	1				

Duren Tools

T: 01582 484875 E: sales@duren.co.uk

www.duren.co.uk

321287
Instruction Manual

Copyright (c) 2014 Duren Tools. No part of this manual may be copied or altered without the permission of the owners of the Duren brand.

Duren Tools
T: 01582 484875 E: sales@duren.co.uk
www.duren.co.uk